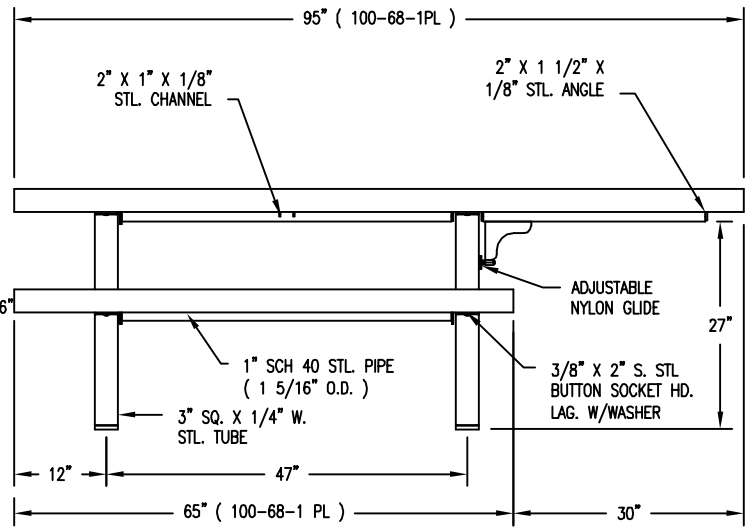
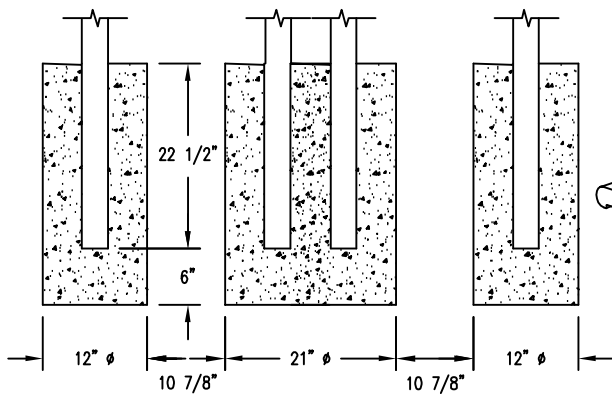


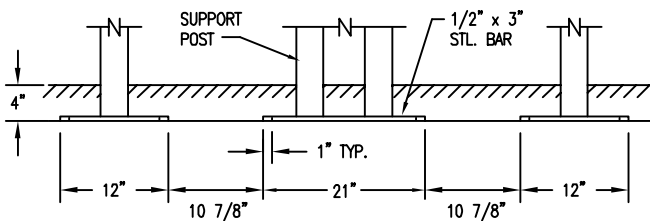
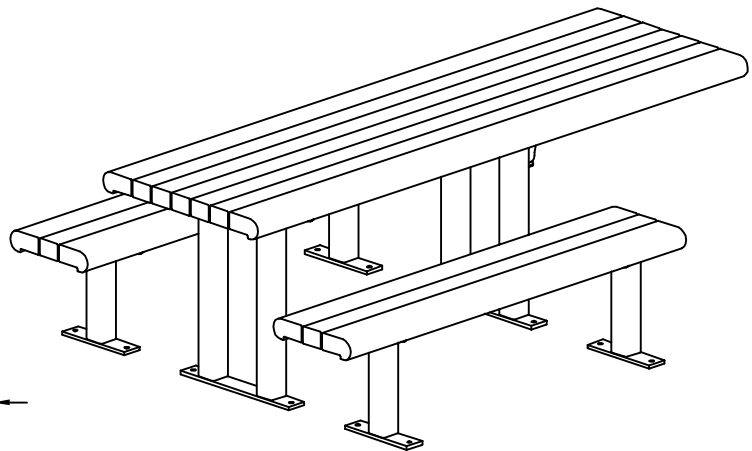
S-2 SURFACE MOUNT



S-1 EMBEDMENT



S-4 SUB FLOOR



SLAT OPTIONS

- "CEDAR" RECYCLED PLASTIC
- "GREY" RECYCLED PLASTIC
- "REDWOOD" RECYCLED PLASTIC
- "WALNUT" RECYCLED PLASTIC
- OTHER _____

NOTES:

- 1.) ALL STL. MEMBERS COATED W/ ZINC RICH EPOXY THEN FINISHED W/ POLYESTER POWDER COATING.
- 2.) 1/2" X 3 3/4" EXPANSION ANCHOR BOLTS PROVIDED FOR OPTIONS S-2 & S-4.



TABLE

DATE DRAWN : 04/01/96
 DRAWN BY : AWH
 DATE REV. : 01/14/14
 REV. BY : ESS

REV.
F

DRAWING
NUMBER

100-68-1 PL

SHEET
1 OF 2

PARTS LIST FOR S-2

| ITEM | QTY | PART NO | DESCRIPTION |
|------|-----|-----------------|---|
| 1 | 2 | 0-100-00-01/S-2 | TABLE TOP SUPPORT FOR SURFACE |
| 2 | 4 | 0-100-00-02/S-2 | SEAT SUPPORT FOR SURFACE MT |
| 3 | 2 | 0-100-60-06 | 6' SEAT BRACE |
| 4 | 1 | 0-100-68-1-05 | TABLE TOP BRACE, HANDICAPPED |
| 5 | 5 | 0-100-681PL-1 | 3" X 4" X 95" INT'R TABLE SLAT, PLASTIC |
| 6 | 1 | 0-100-681PL-2 | 95" RIGHT EDGE TABLE SLAT, PLASTIC |
| 7 | 2 | 0-100-681PL-3 | 3" X 4" X 65" INT'R SEAT SLAT, PLASTIC |
| 8 | 2 | 0-100-681PL-4 | 65" RIGHT EDGE SEAT SLAT, PLASTIC |
| 9 | 1 | 0-100-681PL-8 | 95" LEFT EDGE TABLE SLAT, PLASTIC |
| 10 | 2 | 0-100-681PL-9 | 65" LEFT EDGE SEAT SLAT, PLASTIC |
| 11 | 46 | 1-13-016 | 3/8" X 2" SS BTN SKT HD LAG SCR |
| 12 | 46 | 1-22-024 | 3/8" SS FLAT WASHER |
| 13 | 2 | 5-48-076 | 3/8" X 1 1/2" SWIVEL GLIDE |

NOTE:

- 1.) DURING ASSEMBLY PROCEDURE;
DO NOT COMPLETELY TIGHTEN HARDWARE.
- 2.) THE ACTUAL PARTS WILL NOT BE NUMBERED.
NUMBERS ONLY APPLY TO DRAWING.
- 3.) UPON COMPLETION OF ASSEMBLY SQUARE
ALL COMPONENTS THEN TIGHTEN ALL HARDWARE.
- 4.) MOUNT AND ANCHOR AS SPECIFIED.

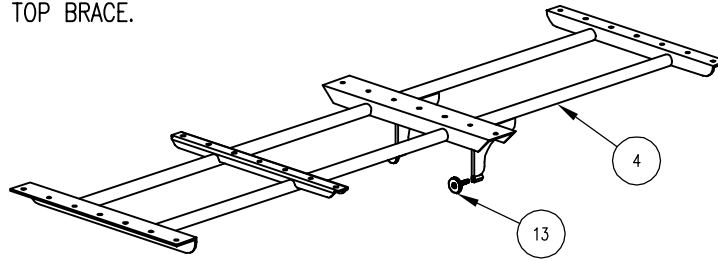
TOOLS REQ'D

- 3/4" WRENCH
9/16" WRENCH
1/4" ALLEN WRENCH
1/2" MASONRY DRILL BIT
DRILL

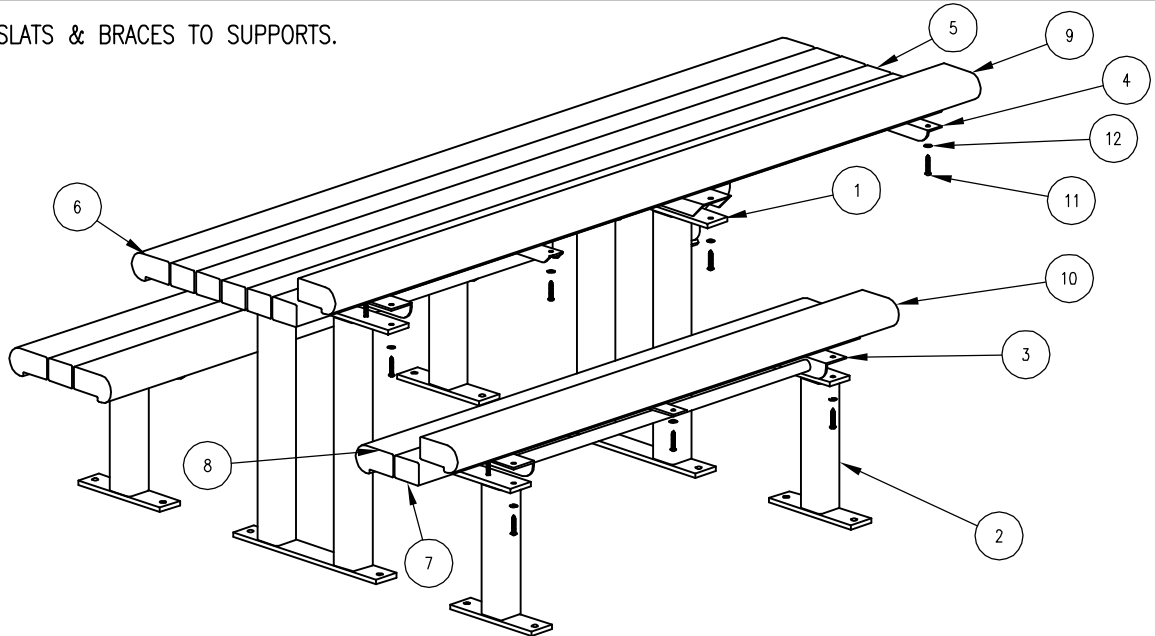
KITS PROVIDED FOR S-2

| ITEM | QTY | PART NO | DESCRIPTION |
|------|-----|-------------|-----------------------------------|
| 14 | 3 | K-ANCO860-4 | 1/2" X 3 3/4" SS ANCHOR KIT (4PC) |
| 15 | 1 | K-BL0632-48 | 3/8" LAG HARDWARE KIT (48PC) |
| 16 | 1 | K-GL0624-2 | 3/8" X 1 1/2" GLIDE KIT (2PCS) |

① ATTACH GLIDES TO TABLE TOP BRACE.



② ATTACH SLATS & BRACES TO SUPPORTS.



③ UNSCREW SWIVEL GLIDE SO IT FITS TIGHT AGAINST SUPPORT POST TUBE AND TIGHTEN.

