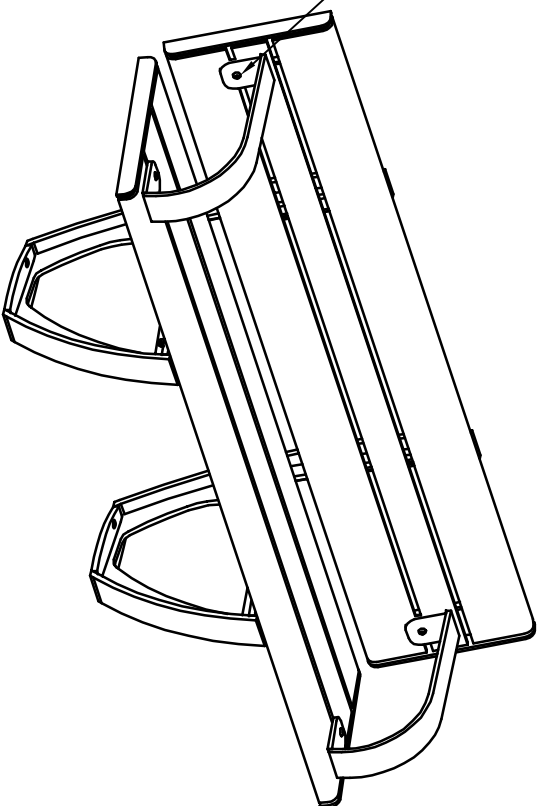


3/8" X 1 1/4" SS
BIN SKT HD CAP SCREW
W/ BOLT CLIP, WASHER
& NYLON LOCKNUT



NOTES

- 1.) ALL STL MEMBERS COATED W/ ZINC RICH EPOXY THEN FINISHED W/ POLYESTER POWDER COATING.
- 2.) 1/2" X 3 3/4" EXPANSION ANCHOR BOLTS PROVIDED.