

- NOTES
- 1.) ALL STL. MEMBERS COATED W/ ZINC RICH EPOXY THEN FINISHED W/ POLYESTER POWDER COATING.
 - 2.) 1/2" X 3 3/4" EXPANSION ANCHOR BOLTS PROVIDED.



BENCH

DATE DRAWN : 02/17/15
DRAWN BY : RDH
DATE REV. : 12/31/15
REV. BY : ESS

REV. B	DRAWING NUMBER
--------	----------------

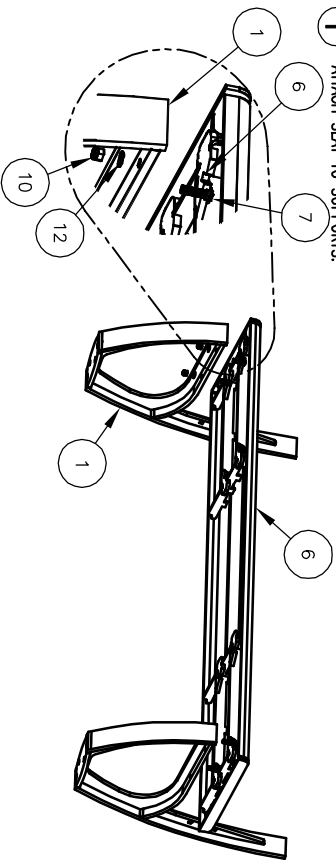
472-60HS-2AR/S-2

NOTES:

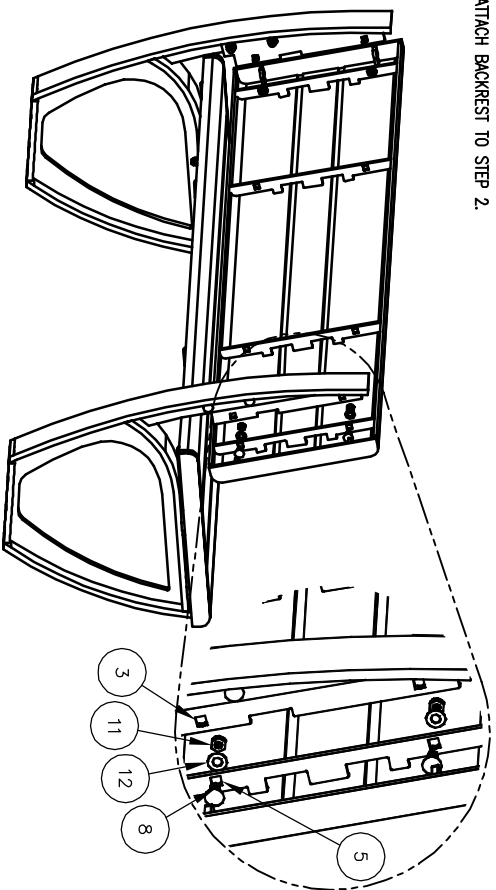
- 1.) DURING ASSEMBLY PROCEDURE: DO NOT COMPLETELY TIGHTEN HARDWARE.
- 2.) THE ACTUAL PARTS WILL NOT BE NUMBERED. NUMBERS ONLY APPLY TO DRAWING.
- 3.) UPON COMPLETION OF ASSEMBLY SQUARE ALL COMPONENTS THEN TIGHTEN ALL HARDWARE.
- 4.) MOUNT AND ANCHOR AS SPECIFIED.

TOOLS REQ'D

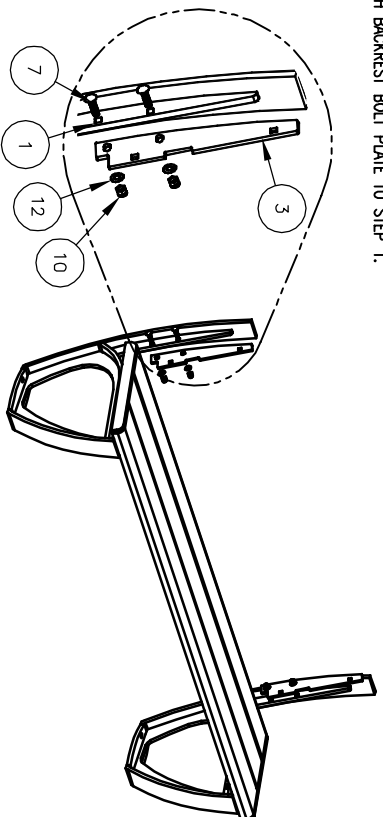
- 3/4" WRENCH
- 9/16" WRENCH
- 1/4" ALLEN WRENCH
- 1/2" MASONRY DRILL BIT
- DRILL



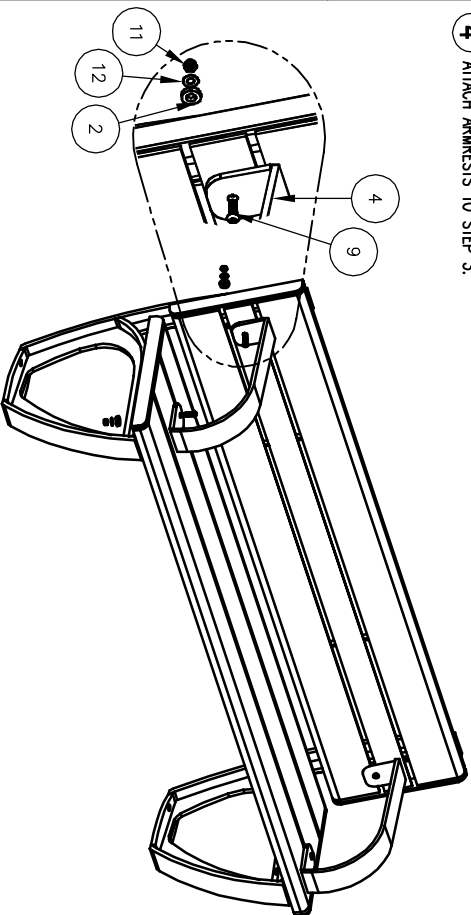
3 ATTACH BACKREST TO STEP 2.



2 ATTACH BACKREST BOLT PLATE TO STEP 1.



4 ATTACH ARMRESTS TO STEP 3.



KITS PROVIDED

ITEM	QTY	PART NO	DESCRIPTION
13	1	K-ANCO860-4	1/2" X 3 3/4" SS ANCHOR KIT (4PC)
14	2	K-BO0620-2TL	3/8" CAP SCR HARDWARE KIT (2 PC)
15	1	K-C00616-4TL	3/8" CGE BOLT HARDWARE KIT (4PC)
16	2	K-C00624-4L	3/8" CGE BOLT HARDWARE KIT (4PC)

PARTS LIST

ITEM	QTY	PART NO	DESCRIPTION
1	2	0-470-00-01	STL SUPPORT
2	4	0-470-00-07	STL ARMREST BOLT PLATE
3	2	0-470-00-09	BACKREST BOLT PLATE
4	2	0-470-00HSAR-06	STL ARMREST FOR HORIZONTAL STRAPS
5	1	0-470-60HS-02	6 STL BACKREST, HORIZONTAL STRAPS
6	1	0-470-60HS-03	6 STL SEAT, HORIZONTAL STRAPS
7	8	1-11-003	3/8" X 1 1/2" SS CGE BOLT
8	4	1-11-028	3/8" X 1" SS CGE BOLT
9	4	1-12-111	3/8" X 1 1/4" SS BIN SKT HD CAP SCR
10	8	1-20-007	3/8" SS ANLON LOCKNUT
11	8	1-20-019	3/8" SS THIN ANLON LOCKNUT
12	16	1-22-024	3/8" SS FLAT WASHER