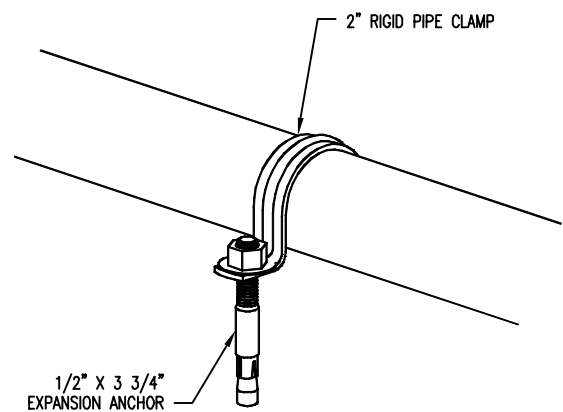


WOOD OPTIONS

- 'C' & BTR. DOUGLAS FIR KD S4S EE
- OTHER \_\_\_\_\_

NOTE:

- 1.) 1/2" X 3 3/4" EXPANSION ANCHORS AND 2" PIPE CLAMPS PROVIDED ( 4 - PCS )



ANCHORING DETAIL



PICNIC TABLE

DATE DRAWN : 3/22/94  
 DRAWN BY : AH  
 DATE REV. : 09/23/15  
 REV. BY : ESS

REV.  
L

DRAWING  
NUMBER

72-68-1

SHEET  
1 OF 2

PARTS LIST

ITEM	QTY	PART NO	DESCRIPTION
1	2	0-71-68-1-01	2" X 10" X 65" SLAT, WOOD
2	3	0-71-68-1-02	2" X 10" X 95" WOOD SLAT
3	4	0-72-00-02	END SUPPORT FRAME
4	2	0-72-00-03	DIAGONAL BRACE
5	2	0-72-00-04	TOP ANGLE
6	4	0-72-00-05	SEAT PLATE
7	1	0-77-00-03HG	CENTER/END CHANNEL, HG
8	26	1-11-062	5/16" X 2 1/4" SS CGE BOLT
9	12	1-12-002	3/8" X 3" SS HEX HD CAP SCR
10	2	1-12-039	3/8" X 5 1/2" SS HEX HD CAP SCR
11	2	1-13-001	5/16" X 1 1/4" SS HEX HD LAG SCR
12	14	1-20-007	3/8" SS NYLON LOCKNUT
13	26	1-21-015	5/16" SS HEX NUT
14	4	1-21-016	1/2" SS HEX NUT
15	4	1-22-015	1/2" SS FLAT WASHER
16	28	1-22-017	5/16" SS FLAT WASHER
17	44	1-22-018	3/8" ID X 5/8" OD RUBBER WASHER
18	28	1-22-024	3/8" SS FLAT WASHER
19	4	1-17-003	1/2" X 3 3/4" SS EXPANSION ANCHOR
20	4	5-48-492	2" RIGID PIPE CLAMP, 9/16" DIA HOLE, PLTD
21	8	5-48-859	2" BLACK PLASTIC PLUG

NOTES:

- 1.) DURING ASSEMBLY PROCEDURE;  
DO NOT COMPLETELY TIGHTEN HARDWARE.
- 2.) THE ACTUAL PARTS WILL NOT BE NUMBERED.  
NUMBERS ONLY APPLY TO DRAWING.
- 3.) UPON COMPLETION OF ASSEMBLY SQUARE  
ALL COMPONENTS THEN TIGHTEN ALL HARDWARE.
- 4.) MOUNT AND ANCHOR AS SPECIFIED.

TOOLS REQ'D

- 1/2" WRENCH
- 3/4" WRENCH
- 9/16" WRENCH
- 1/2" MASONRY DRILL BIT
- DRILL

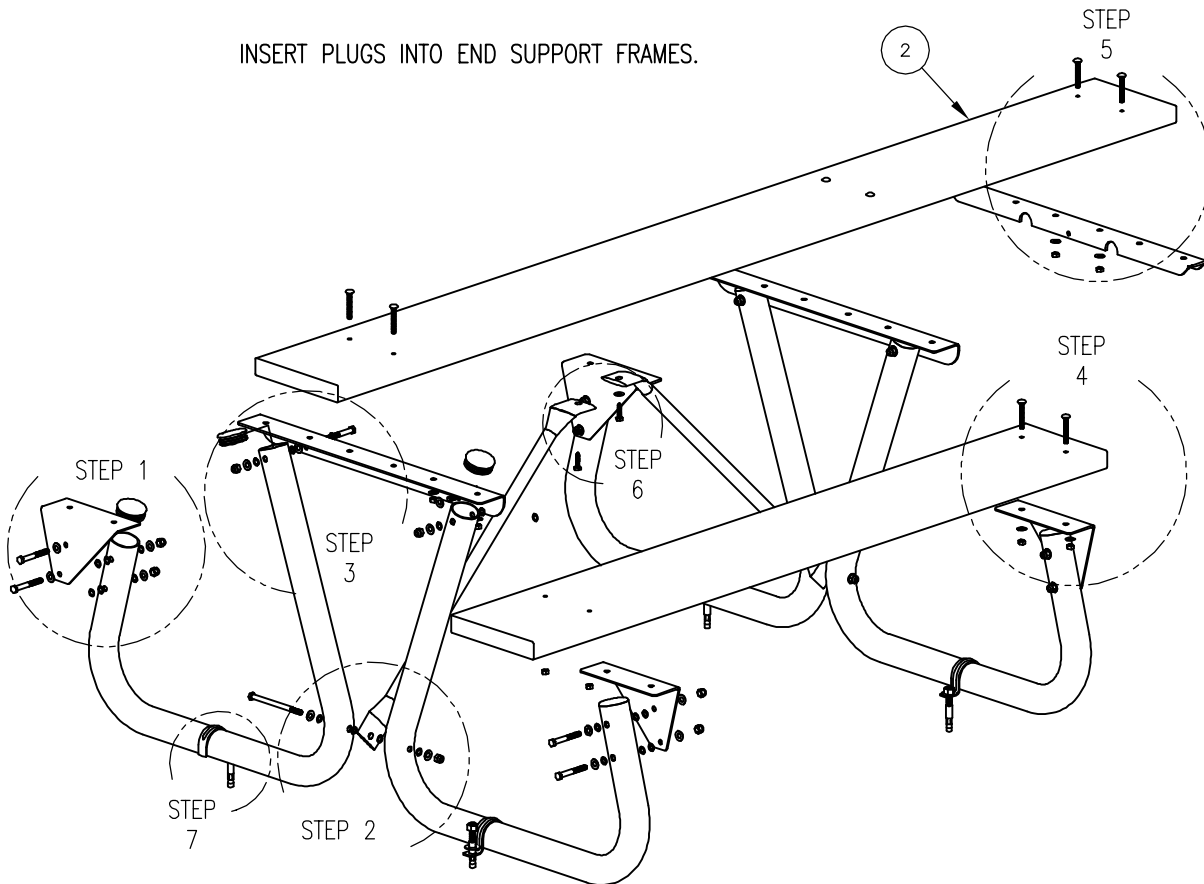
KITS PROVIDED

ITEM	QTY	PART NO	DESCRIPTION
22	1	K-72	72 SERIES HARWARE KIT
23	1	K-ANC-CLIP-16-4	2" SCH 40 CLAMP, 4 PCS
24	1	K-ANCO860-4	1/2" X 3 3/4" SS ANCHOR KIT (4PC)

SEE SHEET 3 FOR  
STEP DETAILS

1

INSERT PLUGS INTO END SUPPORT FRAMES.



ASSEMBLY  
INSTRUCTIONS

DATE DRAWN : 03/22/94  
DRAWN BY : AH  
DATE REV. : 09/23/15  
REV. BY : ESS

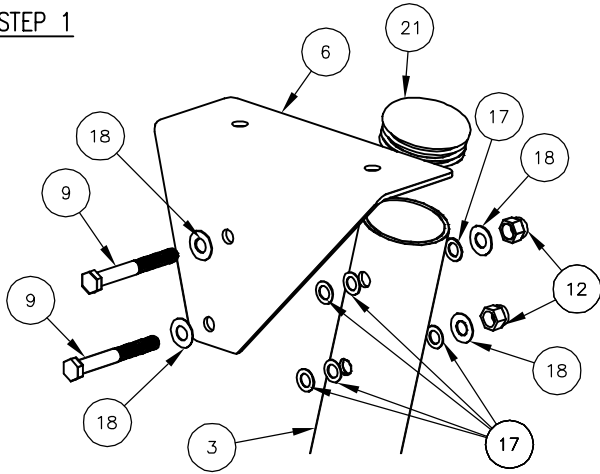
REV.  
L

DRAWING  
NUMBER

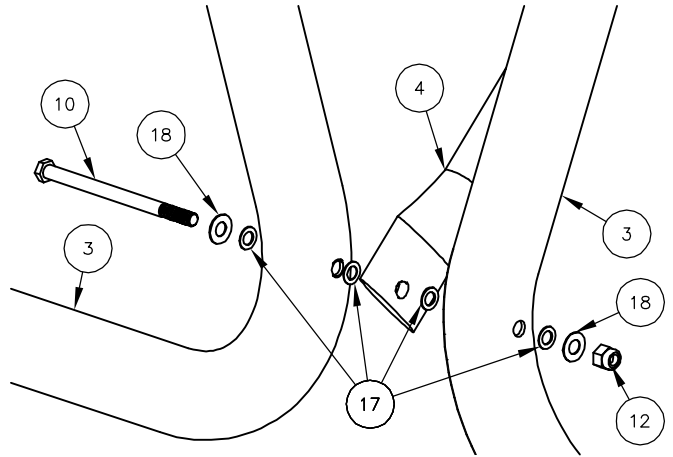
72-68-1

SHEET  
2 OF 3

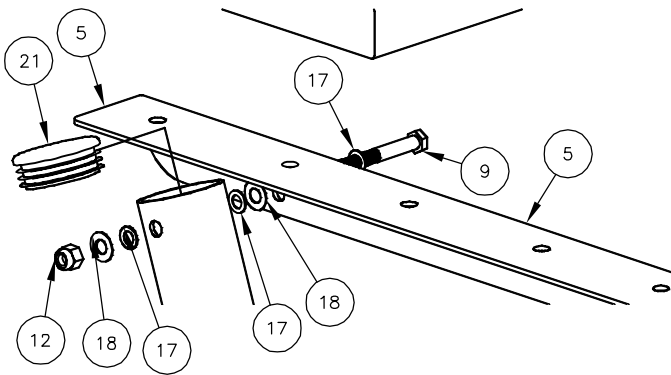
STEP 1



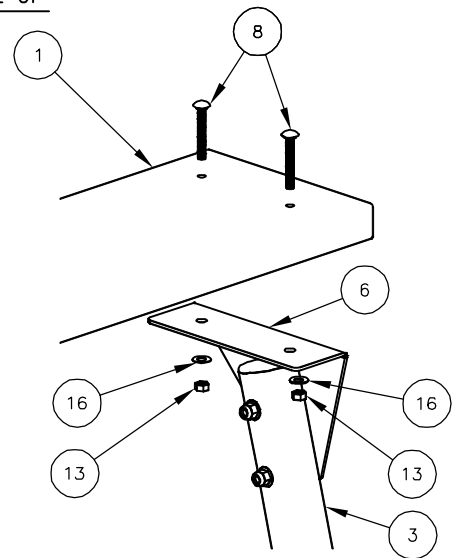
STEP 2



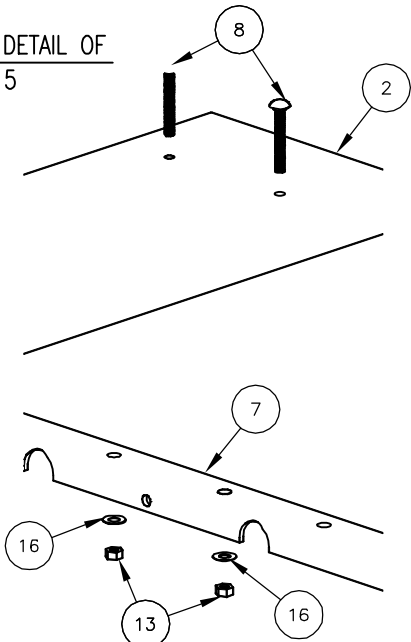
STEP 3



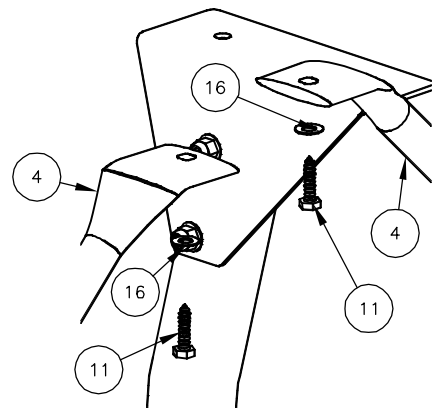
TYPICAL DETAIL OF STEP 4



TYPICAL DETAIL OF STEP 5



STEP 6



STEP 7

