

SLAT OPTONS

- "CEDAR" RECYCLED PLASTIC
- "GREY" RECYCLED PLASTIC
- "REDWOOD" RECYCLED PLASTIC
- "WALNUT" RECYCLED PLASTIC
- OTHER \_\_\_\_\_

LENGTH OPTIONS

- 6' TABLE
- 8' TABLE



PICNIC TABLE

DATE DRAWN : 03/22/94  
 DRAWN BY : AH  
 DATE REV. : 09/22/15  
 REV. BY : ESS

REV.  
M

DRAWING  
NUMBER

72 SERIES PL

SHEET  
1 OF 3

PARTS LIST

ITEM	QTY	PART NO	DESCRIPTION
1	5	0-71-60PL-01	2" X 10" X 71" SLAT, PLASTIC
2	4	0-72-00-02	END SUPPORT FRAME
3	2	0-72-00-03	DIAGONAL BRACE
4	2	0-72-00-04	TOP ANGLE
5	4	0-72-00-05	SEAT PLATE
6	2	0-77-60-14HG	6' SEAT BRACE, HG
7	1	0-77-60-15HG	6' TABLE TOP BRACE, HG
8	30	1-11-062	5/16" X 2 1/4" SS CGE BOLT
9	12	1-12-002	3/8" X 3" SS HEX HD CAP SCR
10	2	1-12-039	3/8" X 5 1/2" SS HEX HD CAP SCR
11	2	1-13-001	5/16" X 1 1/4" SS HEX HD LAG SCR
12	14	1-20-007	3/8" SS NYLON LOCKNUT
13	30	1-21-015	5/16" SS HEX NUT
14	32	1-22-017	5/16" SS FLAT WASHER
15	44	1-22-018	3/8" ID X 5/8" OD RUBBER WASHER
16	28	1-22-024	3/8" SS FLAT WASHER
17	8	5-48-859	2" BLACK PLASTIC PLUG

NOTES:

- 1.) DURING ASSEMBLY PROCEDURE;  
DO NOT COMPLETELY TIGHTEN HARDWARE.
- 2.) THE ACTUAL PARTS WILL NOT BE NUMBERED.  
NUMBERS ONLY APPLY TO DRAWING.
- 3.) UPON COMPLETION OF ASSEMBLY SQUARE  
ALL COMPONENTS THEN TIGHTEN ALL HARDWARE.
- 4.) MOUNT AND ANCHOR AS SPECIFIED.

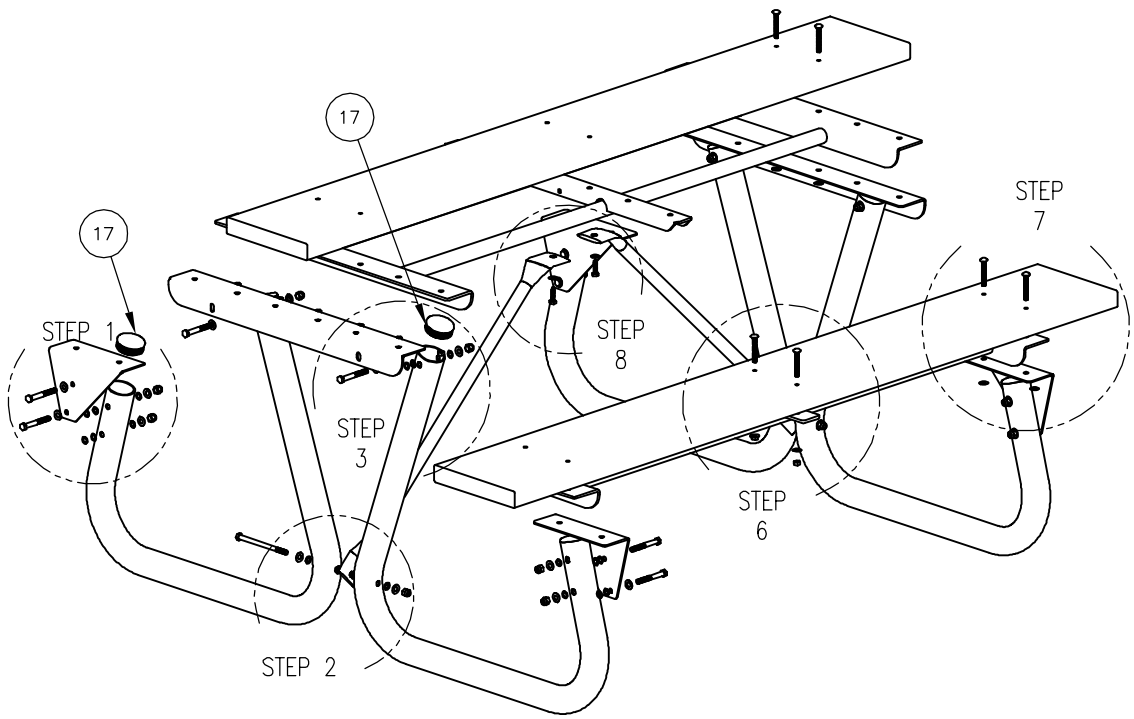
TOOLS REQ'D

- 1/2" WRENCH
- 3/4" WRENCH
- 9/16" WRENCH
- 1/2" MASONRY DRILL BIT
- DRILL

KITS PROVIDED

ITEM	QTY	PART NO	DESCRIPTION
18	1	K-72PL	72 SERIES HARWARE KIT

INSERT PLUGS INTO END SUPPORT FRAMES.



ASSEMBLY INSTRUCTIONS

DATE DRAWN : 03/22/94  
 DRAWN BY : AH  
 DATE REV. : 09/22/15  
 REV. BY : ESS

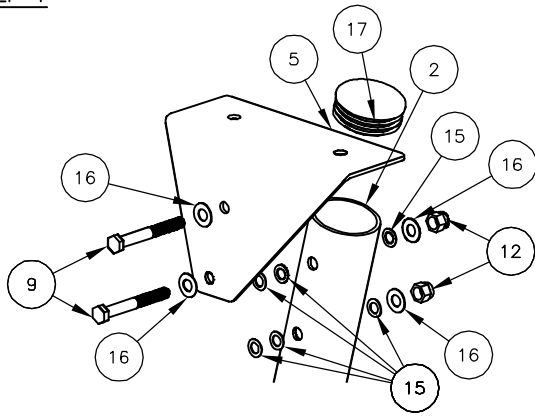
REV. M

DRAWING NUMBER

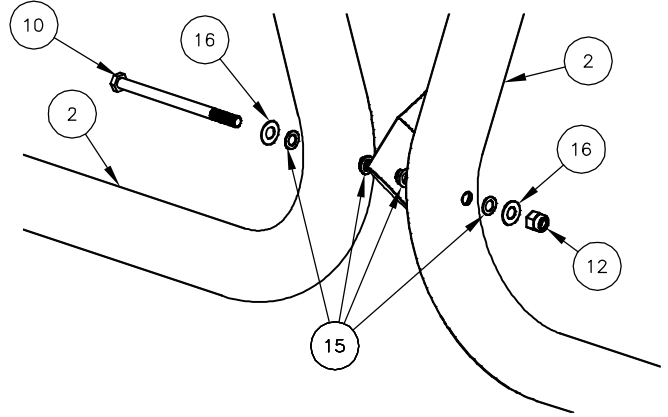
72 SERIES PL

SHEET 2 OF 3

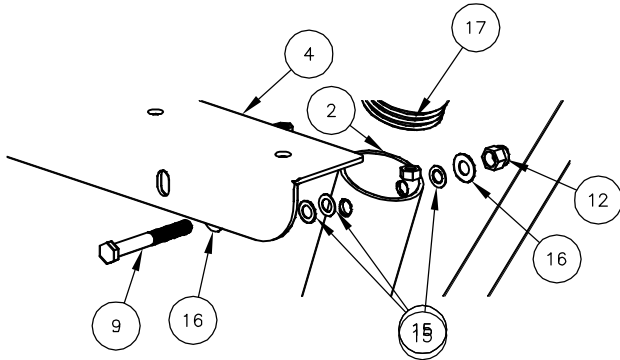
STEP 1



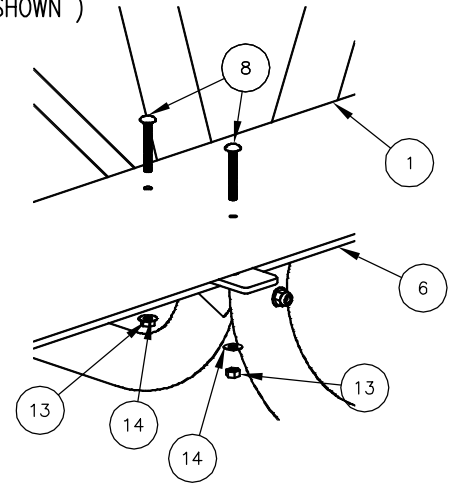
STEP 2



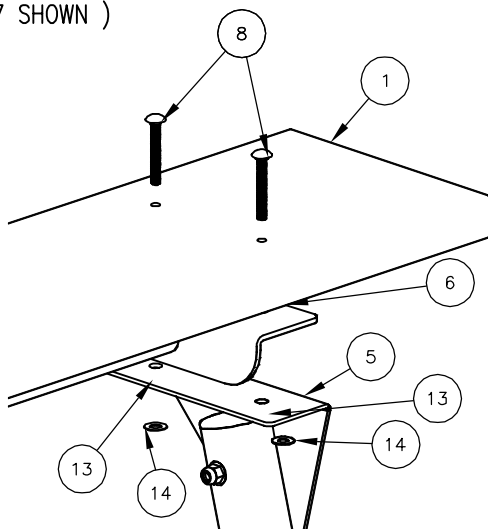
STEP 3



TYPICAL DETAIL OF  
STEP 4 & 6  
( STEP 6 SHOWN )



TYPICAL DETAIL OF  
STEP 5 & 7  
( STEP 7 SHOWN )



STEP 8

