

NOTES

- 1.) ALL STL. MEMBERS COATED W/ ZINC RICH EPOXY THEN FINISHED W/ POLYESTER POWDER COATING.
- 2.) 1/2" X 3 3/4" EXPANSION ANCHOR BOLTS PROVIDED.

WOOD OPTIONS

- 'C' & BTR. DOUGLAS FIR KD S4S EE
- IPE S4S EE
- OTHER _____

NOTES:

- 1.) DURING ASSEMBLY PROCEDURE;
DO NOT COMPLETELY TIGHTEN HARDWARE.
- 2.) THE ACTUAL PARTS WILL NOT BE NUMBERED.
NUMBERS ONLY APPLY TO DRAWING.
- 3.) UPON COMPLETION OF ASSEMBLY SQUARE
ALL COMPONENTS THEN TIGHTEN ALL HARDWARE.
- 4.) MOUNT AND ANCHOR AS SPECIFIED.

TOOLS REQ'D

- 3/4" WRENCH
- 3/16" ALLEN WRENCH
- 1/4" ALLEN WRENCH
- 1/2" MASONRY DRILL BIT
DRILL

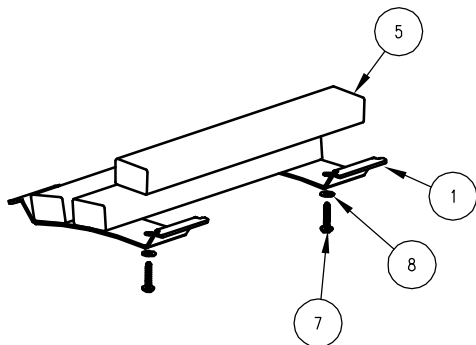
PARTS LIST

ITEM	QTY	PART NO	DESCRIPTION
1	4	0-460-00-02	CONTOUR STRAP
2	1	0-480-00L-01	LEFT STL BENCH SUPT
3	1	0-480-00R-01	RIGHT STL SEAT SUPPORT
4	4	0-480-17-02	17 3/4" ALUM EXTRUSION
5	6	0-480-17-03	2" X 3" X 17" WOOD INT'R SLAT
6	8	1-12-116	5/16" X 1" SS BTN SKT HD CAP SCR
7	12	1-13-023	5/16" X 1 1/2" SS BTN SKT HD LAG
8	12	1-22-017	5/16" SS FLAT WASHER

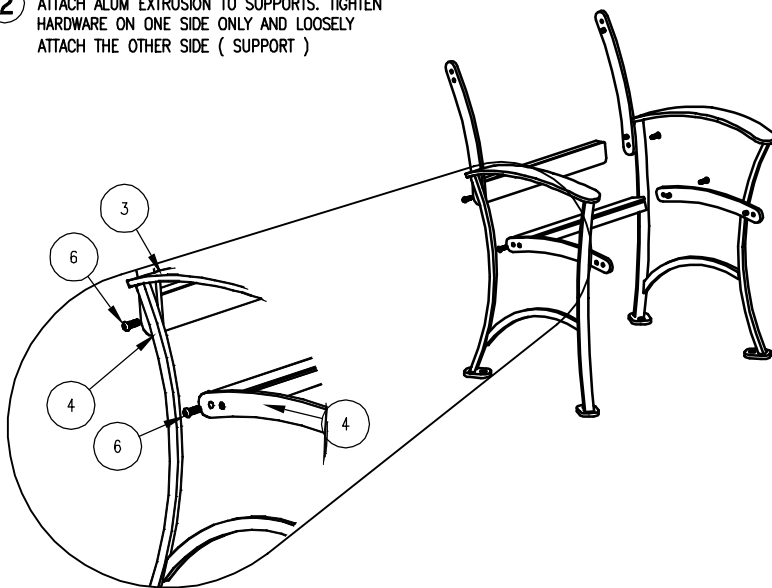
KITS PROVIDED

ITEM	QTY	PART NO	DESCRIPTION
9	1	K-ANCO860-4	1/2" X 3 3/4" SS ANCHOR KIT (4PC)
11	1	K-BC0524-8	5/16" CAP HARDWARE KIT (8PC)
12	1	K-BL0524-12	5/16" LAG HARDWARE KIT (12PC)

1 ATTACH SEAT SLATS TO CONTOUR STRAPS



2 ATTACH ALUM EXTRUSION TO SUPPORTS. TIGHTEN HARDWARE ON ONE SIDE ONLY AND LOOSELY ATTACH THE OTHER SIDE (SUPPORT)



3 ATTACH STEP1 & ALUM EXTRUSION TO STEP 2. YOU WILL HAVE TO SPREAD THE SUPPORTS APART FOR THE ALUM EXTRUSION TO SLIDE OVER THE PIN ON THE SUPPORTS.

