

NOTES

- 1.) ALL STL. MEMBERS COATED W/ ZINC RICH EPOXY THEN FINISHED W/ POLYESTER POWDER COATING.
- 2.) 1/2" X 3 3/4" EXPANSION ANCHOR BOLTS PROVIDED.

NOTES:

- 1.) DURING ASSEMBLY PROCEDURE;
DO NOT COMPLETELY TIGHTEN HARDWARE.
- 2.) THE ACTUAL PARTS WILL NOT BE NUMBERED.
NUMBERS ONLY APPLY TO DRAWING.
- 3.) UPON COMPLETION OF ASSEMBLY SQUARE
ALL COMPONENTS THEN TIGHTEN ALL HARDWARE.
- 4.) MOUNT AND ANCHOR AS SPECIFIED.

TOOLS REQ'D

- 3/4" WRENCH
- 3/16" ALLEN WRENCH
- 1/2" MASONRY DRILL BIT
DRILL

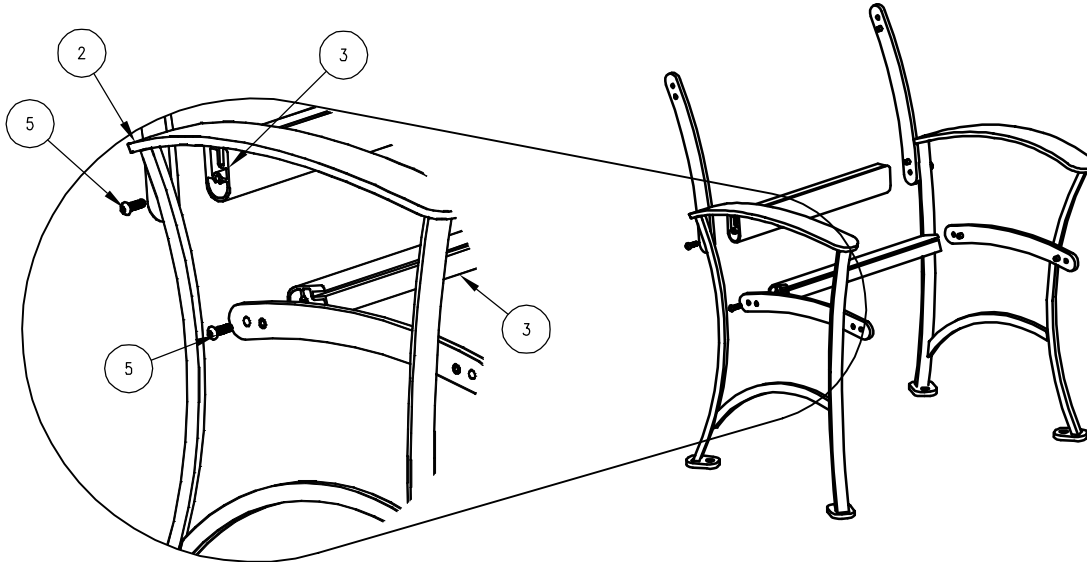
PARTS LIST

ITEM	QTY	PART NO	DESCRIPTION
1	1	0-480-00L-01	LEFT STL BENCH SUPT
2	1	0-480-00R-01	RIGHT STL SEAT SUPPORT
3	4	0-480-17-02	17 3/4" ALUM EXTRUSION
4	2	0-480-17VS-03	10 GA STL PLATE
5	8	1-12-116	5/16" X 1" SS BTN SKT HD CAP SCR

KITS PROVIDED

ITEM	QTY	PART NO	DESCRIPTION
6	1	K-ANCO860-4	1/2" X 3 3/4" SS ANCHOR KIT (4PC)
7	1	K-BC0524-8	5/16" CAP HARDWARE KIT (8PC)

- 1** ATTACH ALUM EXTRUSION TO SUPPORTS. TIGHTEN HARDWARE ON ONE SIDE ONLY AND LOOSELY ATTACH THE OTHER SIDE (SUPPORT)



- 2** ATTACH 10 GA STL PLATE & ALUM EXTRUSION TO STEP 1. YOU WILL HAVE TO SPREAD THE SUPPORTS APART FOR THE ALUM EXTRUSION TO SLIDE OVER THE PIN ON THE SUPPORTS.

