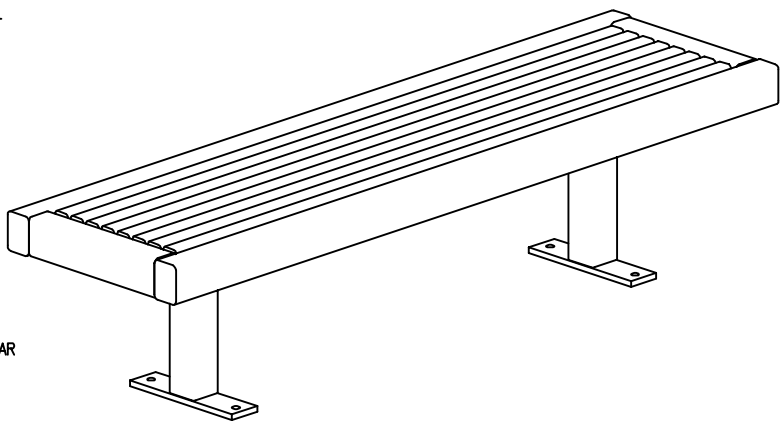


S-2 SURFACE



SLAT OPTIONS

- "CEDAR" RECYCLED PLASTIC
- "GREY" RECYCLED PLASTIC
- "REDWOOD" RECYCLED PLASTIC
- "WALNUT" RECYCLED PLASTIC
- OTHER _____

NOTES

- 1.) ALL STL. MEMBERS COATED W/ ZINC RICH EPOXY THEN FINISHED W/ POLYESTER POWDER COATING.
- 2.) 1/2" X 3 3/4" EXPANSION ANCHOR BOLTS PROVIDED FOR S-2, S-3 & S-4 OPTIONS.



BENCH

DATE DRAWN : 08/28/03
 DRAWN BY : AWH
 DATE REV. : 11/17/15
 REV. BY : JSB

REV.
D

DRAWING NUMBER

163-60PL

SHEET
1 OF 2

NOTES:

- 1.) DURING ASSEMBLY PROCEDURE;
DO NOT COMPLETELY TIGHTEN HARDWARE.
- 2.) THE ACTUAL PARTS WILL NOT BE NUMBERED.
NUMBERS ONLY APPLY TO DRAWING.
- 3.) UPON COMPLETION OF ASSEMBLY SQUARE
ALL COMPONENTS THEN TIGHTEN ALL HARDWARE.
- 4.) MOUNT AND ANCHOR AS SPECIFIED.

TOOLS REQ'D

- 3/4" WRENCH
- 1/4" ALLEN WRENCH
- 1/2" MASONRY DRILL BIT
DRILL

PARTS LIST FOR S-2

ITEM	QTY	PART NO	DESCRIPTION
1	1	0-163-60-08	6" SEAT BRACE
2	1	0-163-60PL-01	6" SEAT ASSEMBLY, PLASTIC
3	2	0-37-00-02/S-2	SUPPORT FOR SURFACE MOUNT
4	8	1-13-038	5/16" X 2" SS HEX HD LAG SCR
5	8	1-22-017	5/16" SS FLAT WASHER

KITS PROVIDED FOR S-2

ITEM	QTY	PART NO	DESCRIPTION
5	1	K-ANCO860-4	1/2" X 3 3/4" SS ANCHOR KIT (4PC)
6	1	K-HL0532-8	5/16" LAG HARDWARE KIT (8PC)

① ATTACH SEAT TO SUPPORTS.

