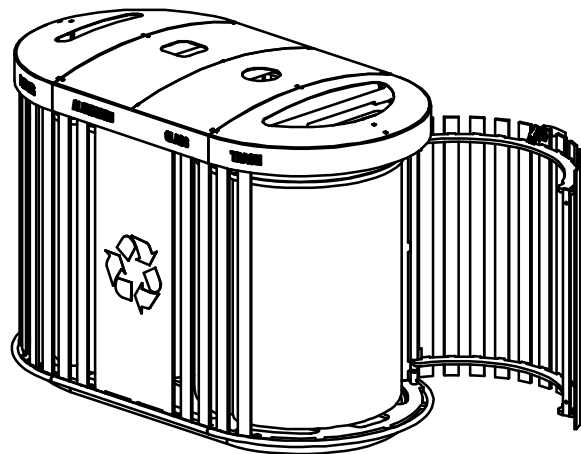
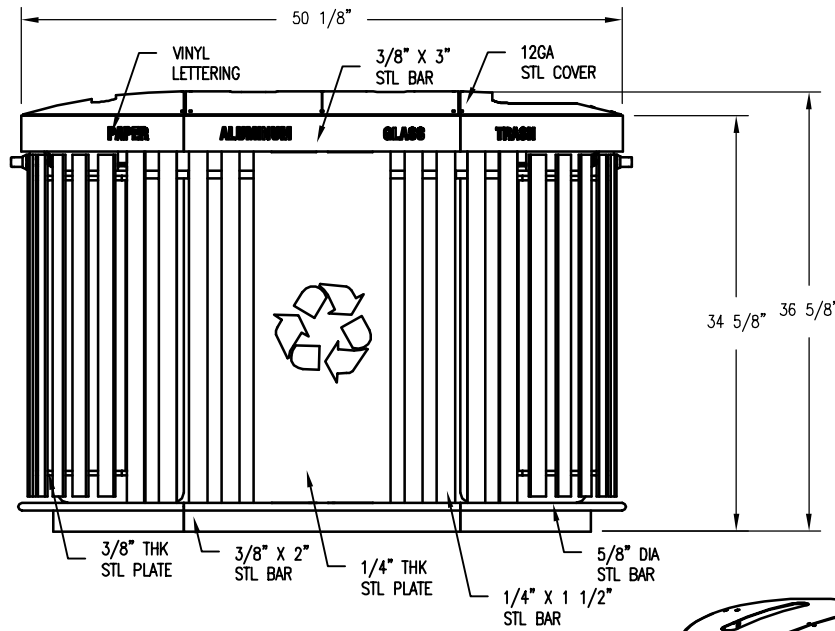


LETTERING LAYOUT
 PAPER (20 GAL)
 ALUMINUM (20 GAL)
 GLASS (20 GAL)
 TRASH (20 GAL)



COVER NUMBERS

- 0-434-EC-11 (2" X 12" OPENING)
- 0-434-MC-80-15 (4" SQ OPENING)
- 0-434-MC-80-10 (4" DIA OPENING)
- 0-434-EC-10 (4" OPENING)

NOTES

- 1.) ALL STL. MEMBERS COATED W/ ZINC RICH EPOXY THEN FINISHED W/ POLYESTER POWDER COATING.
- 2.) 1/2" X 3 3/4" EXPANSION ANCHOR BOLTS PROVIDED (QTY 4).
- 3.) ENDS OF RECYCLING UNIT HINGE FOR REMOVAL OF LINERS.



RECYCLING UNIT

DATE DRAWN : 10/27/11
DRAWN BY : JSB
DATE REV. : 00/00/00
REV. BY : XXX

REV.
A

DRAWING
NUMBER

434-80-0001

SHEET
1 OF 2

NOTE:

- 1.) RECEPTACLE SHIPPED FULLY ASSEMBLED.
- 2.) MOUNT AND ANCHOR AS SPECIFIED.

TOOLS REQ'D

- 3/4" WRENCH
- 1/2" MASONRY DRILL BIT
- DRILL

PARTS LIST

ITEM	QTY	PART NO	DESCRIPTION
1	1	0-434-80-0001	80 GAL RECYCLING RECEPT ASSEMBLY
2	4	49-20H	20 GAL HALF ROUND LINER (ANDURAN CO)

KITS PROVIDED

ITEM	QTY	PART NO	DESCRIPTION
3	1	K-ANCO860-4	1/2" X 3 3/4" SS ANCHOR KIT (4PC)

