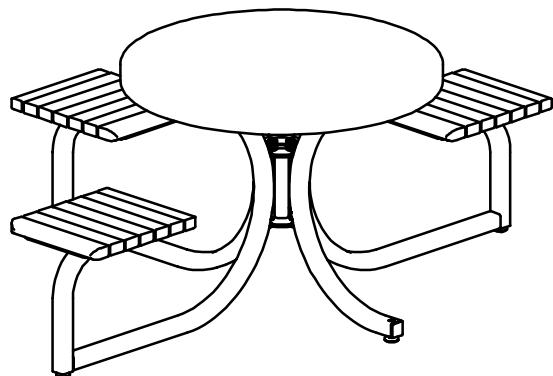


WOOD OPTIONS

- 'C' & BTR. DOUGLAS FIR KD S4S EE
- IPE S4S EE
- OTHER _____

NOTES:

- 1.) ALL STL. MEMBERS COATED W/ ZINC RICH EPOXY THEN FINISHED W/ POLYESTER POWDER COATING.
- 2.) 1/2" X 1 1/2" NYLON GLIDES & 1/2" X 3 3/4" EXPANSION ANCHOR BOLTS W/ S-2 PLATES PROVIDED.
- 3.) ALL WOOD MEMBERS TREATED W/ CLEAR PRESERVATIVE.



NOTES:

- 1.) DURING ASSEMBLY PROCEDURE;
DO NOT COMPLETELY TIGHTEN HARDWARE.
- 2.) THE ACTUAL PARTS WILL NOT BE NUMBERED.
NUMBERS ONLY APPLY TO DRAWING.
- 3.) UPON COMPLETION OF ASSEMBLY SQUARE
ALL COMPONENTS THEN TIGHTEN ALL HARDWARE.
- 4.) MOUNT AND ANCHOR AS SPECIFIED.

TOOLS REQ'D

- 3/4" WRENCH
- 1/4" ALLEN WRENCH
- 5/16" ALLEN WRENCH
- 1/2" MASONRY DRILL BIT
DRILL

PARTS LIST

ITEM	QTY	PART NO	DESCRIPTION
1	1	0-445-00-01	STL TABLE TOP
2	3	0-445-00-02	TABLE SUPPORT LEG
3	1	0-445-00-07	TABLE SUPPORT LEG W/O SEAT
4	1	0-445-04-03	4 SEAT BOLTING COLLAR
5	3	0-445-30-04	SEAT BOLT PLATE
6	6	0-445-30-05	2" X 3" X 16" EDGE SLAT, WOOD
7	15	0-445-30-06	2" X 3" X 16" INT'R SLAT, WOOD
8	4	0-94-00-02/S-2	SURFACE MOUNT FOOT PAD, PC
9	4	1-11-068	1/2" X 1" SS CGE BOLT
10	6	1-12-014	1/2" X 1" SS FLT SKT HD CAP SCR
11	8	1-12-056	1/2" X 1" SS BTN SKT HD CAP SCR
12	42	1-13-023	5/16" X 1 1/2" SS BTN SKT HD LAG
13	10	1-20-018	1/2" SS THIN NYLON LOCKNUT
14	10	1-22-015	1/2" SS FLAT WASHER
15	42	1-22-017	5/16" SS FLAT WASHER
16	4	5-48-078	1/2" X 1 1/2" SWIVEL GLIDE

KITS PROVIDED

ITEM	QTY	PART NO	DESCRIPTION
17	1	K-ANC0860-4	1/2" X 3 3/4" SS ANCHOR KIT (4PC)
18	2	K-BC0816-4	1/2" CAP HARDWARE KIT (4PC)
19	2	K-BL0524-21	5/16" LAG HARDWARE KIT (21PC)
20	1	K-CG0816-4TL	1/2" CGE BOLT HARDWARE KIT (4PC)
21	2	K-FC0816-4	1/2" CAP HARDWARE KIT (4 PCS)
22	1	K-GL0824-4	1/2" X 1 1/2" GLIDE KIT (4PCS)
23	2	K-TLNU08-4	1/2" THIN LOCK NUT HARDWARE KIT (4PC)

1A ATTACH 1/2" X 1 1/2" GLIDE TO TABLE SUPPORT LEG FOR FREE STANDING OPTION

1B ATTACH SURFACE MOUNT FOOT PAD TO TABLE SUPPORT LEG FOR SURFACE MOUNT OPTION

2 ATTACH STEP 1 ASSEMBLY TO 4 SEAT BOLTING COLLAR

3 ATTACH STL TABLE TOP TO STEP 2 ASSEMBLY

4 ATTACH SEAT BOLT PLATE & SLATS TO STEP 3 ASSEMBLY