

NOTES:

- 1.) ALL STL. MEMBERS COATED W/ ZINC RICH EPOXY THEN FINISHED W/ POLYESTER POWDER COATING.
- 2.) 1/2" X 3 3/4" EXPANSION ANCHOR BOLTS PROVIDED.



BIKE RACK

DATE DRAWN : 08/26/13
 DRAWN BY : ESS
 DATE REV. : 00/00/00
 REV. BY : XXX

REV.
A

DRAWING
NUMBER

466-60

SHEET
1 OF 2

NOTE:

- 1.) DURING ASSEMBLY PROCEDURE;
DO NOT COMPLETELY TIGHTEN HARDWARE.
- 2.) THE ACTUAL PARTS WILL NOT BE NUMBERED.
NUMBERS ONLY APPLY TO DRAWING.
- 3.) UPON COMPLETION OF ASSEMBLY SQUARE
ALL COMPONENTS THEN TIGHTEN ALL HARDWARE.
- 4.) MOUNT AND ANCHOR AS SPECIFIED.

TOOLS REQ'D

- 3/4" WRENCH
- 5/16" ALLEN WRENCH
- 1/2" MASONRY DRILL BIT
DRILL

PARTS LIST

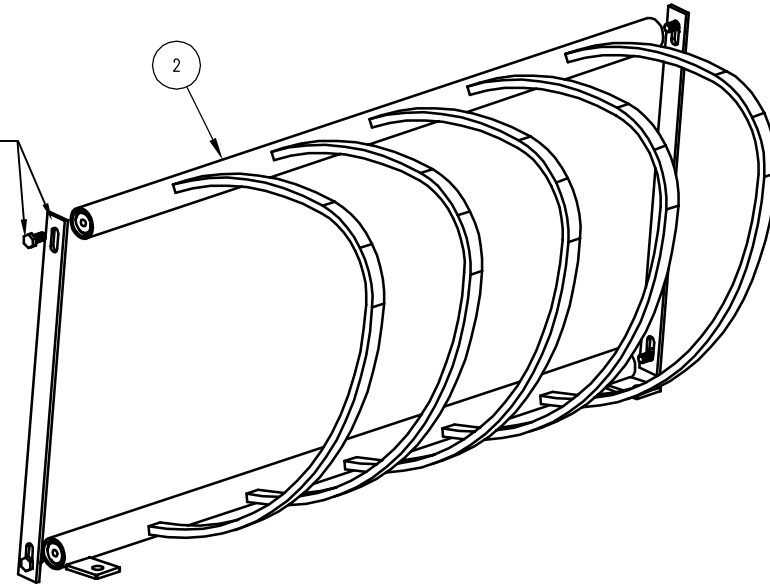
ITEM	QTY	PART NO	DESCRIPTION
1	2	0-466-00-01	STL BIKE RACK END
2	1	0-466-60-02	STL BIKE RACK, 6 BIKES
3	1	0-466-60-03	STL BIKE RACK PIPE, FOR 6 BIKE RACK
4	6	1-12-037	1/2" X 3" SS FLT SKT HD CAP SCR

KITS PROVIDED

ITEM	QTY	PART NO	DESCRIPTION
5	1	K-ANCO860-4	1/2" X 3 3/4" SS ANCHOR KIT (4PC)
6	1	K-FC0848-6	1/2" CAP HARDWARE KIT (6 PCS)

①

REMOVE 1/2" X 1" HEX HEAD BOLT
AND SHIPPING BRACE AND DISCARD



② ATTACH STL BIKE RACK ENDS
& STL BIKE RACK PIPE TO STEP#1.

