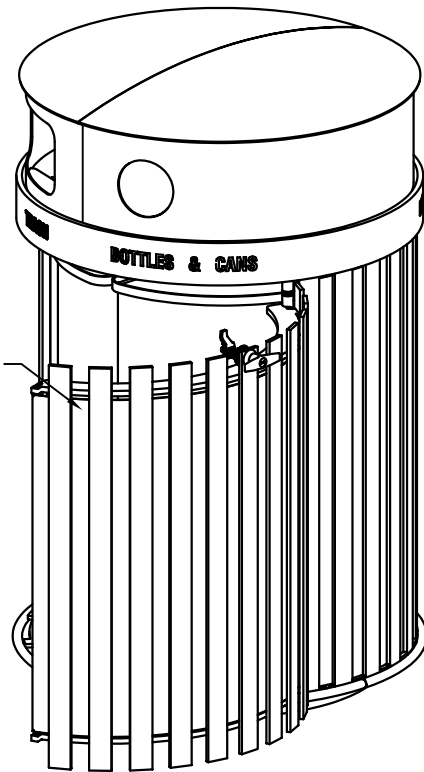
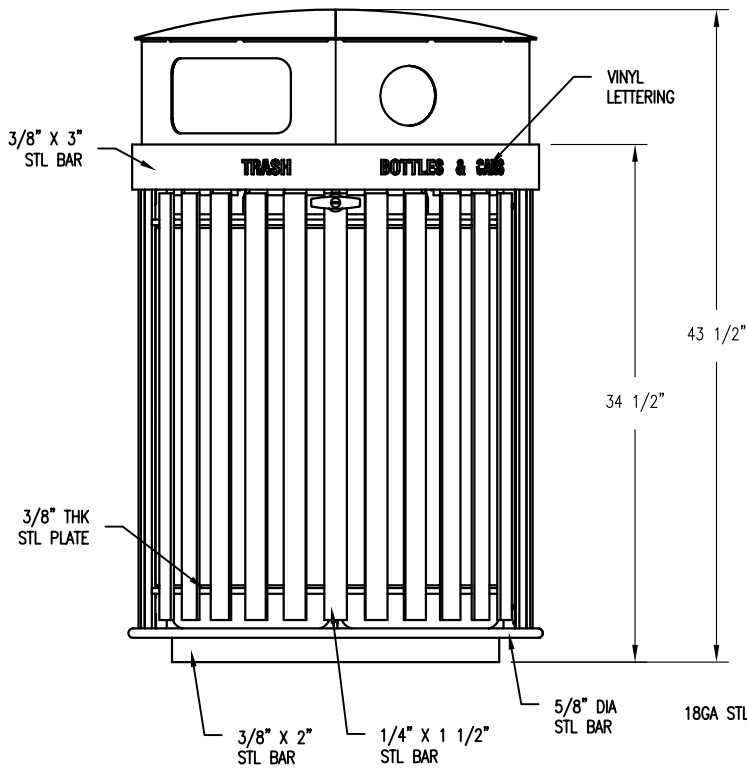


LETTERING LAYOUT  
 TRASH (20 GAL)  
 BOTTLES & CANS (20 GAL)



COVER NUMBERS

- 0-435-EC-04 ((2) 5" X 10" OPENING)
- 0-435-EC-02 ((2) 4" OPENING)

NOTES

- 1.) ALL STL. MEMBERS COATED W/ ZINC RICH EPOXY THEN FINISHED W/ POLYESTER POWDER COATING.
- 2.) 1/2" X 3 3/4" EXPANSION ANCHOR BOLTS PROVIDED ( QTY 3 ).
- 3.) RECYCLING UNIT HINGE FOR REMOVAL OF LINERS.



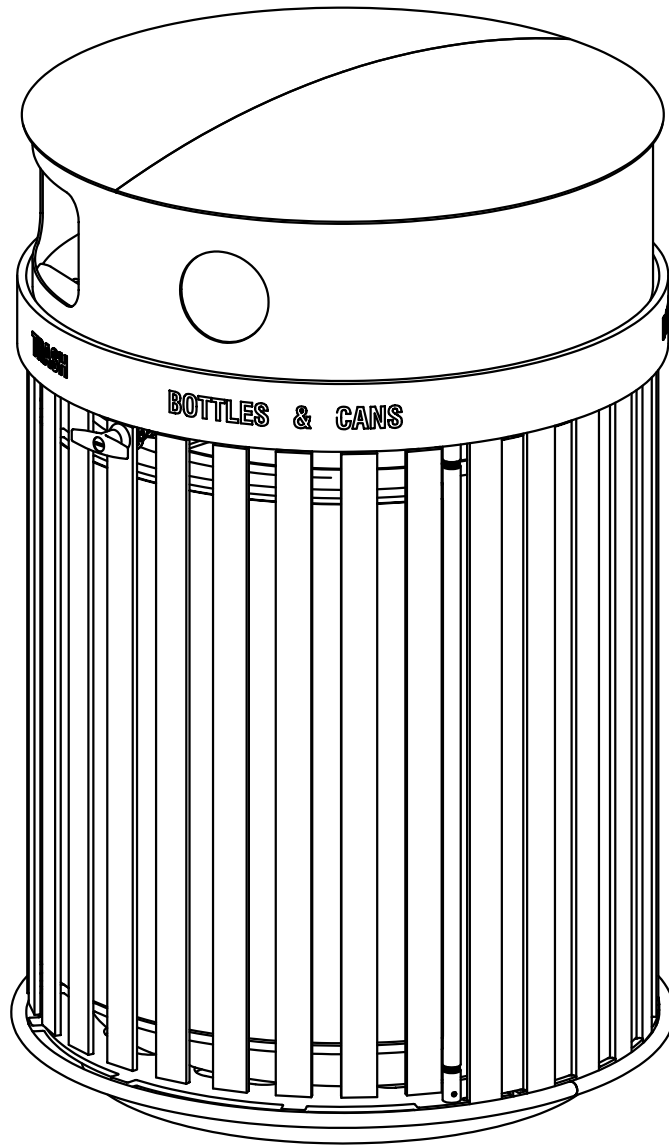
**DuMor, inc.**  
 P.O. Box 142 Mifflintown, PA 17059-0142

SCALE :	NONE
DATE DRAWN :	10/24/11
DRAWN BY :	JSB
DATE REV. :	
REV. BY :	

TITLE : RECYCLING UNIT

REV. A	DRAWING NUMBER 437-40SH-0001
--------	------------------------------

SHEET 1 OF 2



**NOTE:**

- 1.) RECEPTACLE SHIPPED FULLY ASSEMBLED.
- 2.) MOUNT AND ANCHOR AS SPECIFIED.



**DuMor, inc.**  
 P.O. Box 142 Mifflintown, PA 17059-0142

SCALE : NONE  
 DATE DRAWN : 10/24/11  
 DRAWN BY : JSB  
 DATE REV. :  
 REV. BY :

TITLE : RECYCLING UNIT ASSEMBLY

REV.  
 A

DRAWING NUMBER  
 437-40SH-0001

SHEET  
 2 OF 2