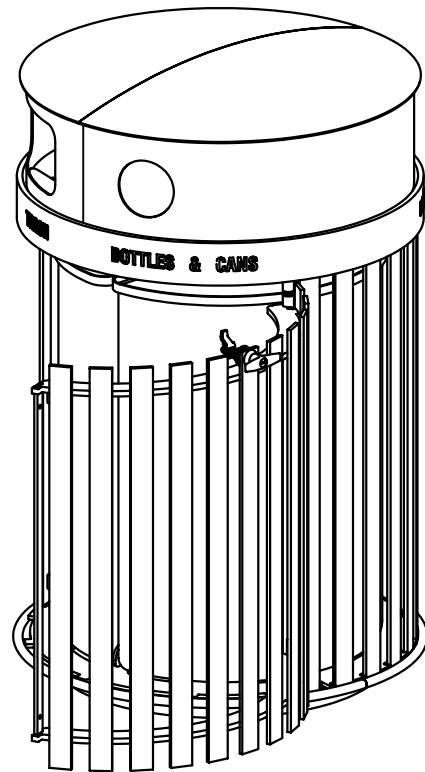
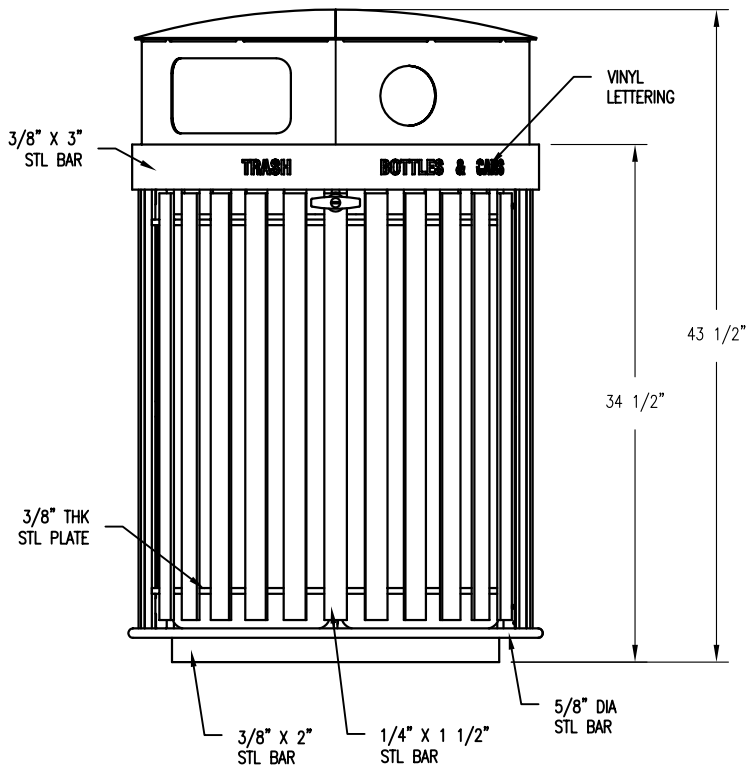


LETTERING LAYOUT
 TRASH (20 GAL)
 BOTTLES & CANS (20 GAL)



COVER NUMBERS

- 0-435-EC-04 ((2) 5" X 10" OPENING)
- 0-435-EC-02 ((2) 4" OPENING)

NOTES

- 1.) ALL STL. MEMBERS COATED W/ ZINC RICH EPOXY THEN FINISHED W/ POLYESTER POWDER COATING.
- 2.) 1/2" X 3 3/4" EXPANSION ANCHOR BOLTS PROVIDED (QTY 3).
- 3.) RECYCLING UNIT HINGE FOR REMOVAL OF LINERS.



DuMor, inc.

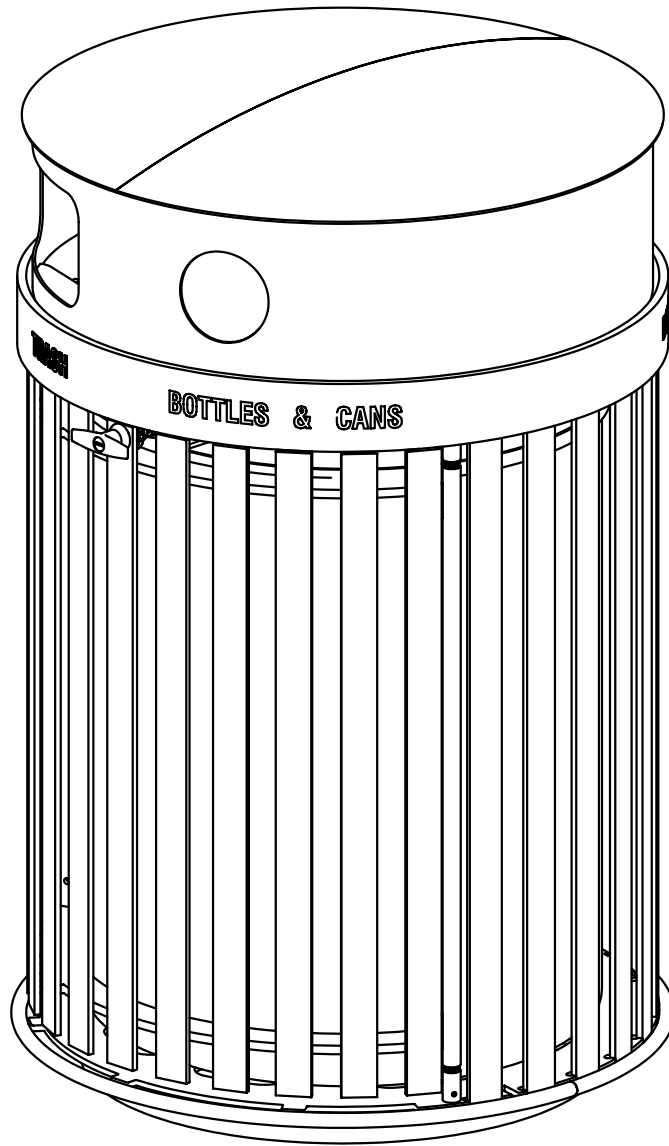
P.O. Box 142 Mifflintown, PA 17059-0142

SCALE :	NONE
DATE DRAWN :	10/5/11
DRAWN BY :	JSB
DATE REV. :	
REV. BY :	

TITLE : RECYCLING UNIT

REV.	DRAWING NUMBER
A	437-40-0001

SHEET
1 OF 2



NOTE:

- 1.) RECEPTACLE SHIPPED FULLY ASSEMBLED.
- 2.) MOUNT AND ANCHOR AS SPECIFIED.



DuMor, inc.
P.O. Box 142 Mifflintown, PA 17059-0142

SCALE : NONE
DATE DRAWN : 10/13/11
DRAWN BY : JSB
DATE REV. :
REV. BY :

TITLE : RECYCLING UNIT ASSEMBLY

REV.
A

DRAWING NUMBER
437-40-0001

SHEET
2 OF 2